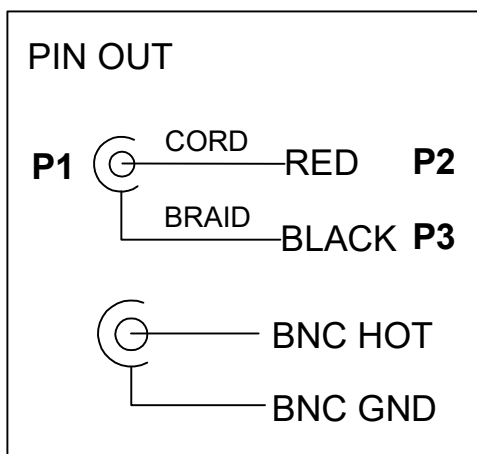


Part Number	Length(L)	Label contents (D)
BNCPR-174U0050E	500 ⁺²⁵ ₀	BNCPR-174U0050E
BNCPR-174U0100E	1000 ⁺²⁵ ₀	BNCPR-174U0100E
BNCPR-174U0150E	1500 ⁺⁵⁰ ₀	BNCPR-174U0150E
BNCPR-174U0200E	2000 ⁺⁵⁰ ₀	BNCPR-174U0200E
BNCPR-174U0300E	3000 ⁺⁵⁰ ₀	BNCPR-174U0300E



H	Copper foil	4MM*50MM -LF-	
G	Inner mold	LDPE -HF-	Transparent
F	Tube	UL/CSA ϕ 1.5 -HF-	Black
E	Outer mold	PVC 45P -LF-	Black
D	Plug	BNC Male, Soldering type, 50 ohm -LF-	
C	Cable	UL1015 #20 OD:2.5 -LF-	Red
B	Cable	UL1015 #20 OD:2.5 -LF-	Black
A	Cable	RG174A/U #26*1C(7/0.16TC)+PE INSULATION+BRAID(64/0.12TC) OD:3.0 -LF-	Black
NO	Material	Part NO./Spec.	Color

Unit : mm Approved Checked Designer Description **BNC / M TO OPEN**

Part NO: BNCPR-174AUXXXXE